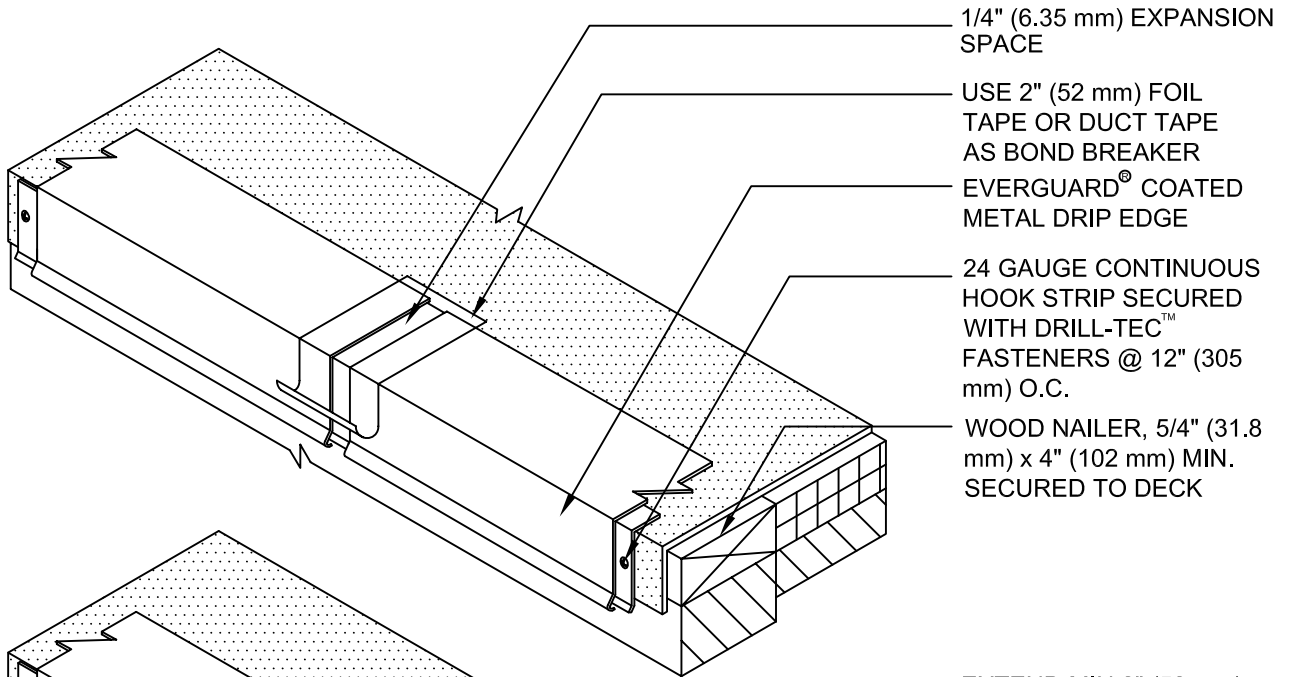


STEP 1.



1/4" (6.35 mm) EXPANSION SPACE

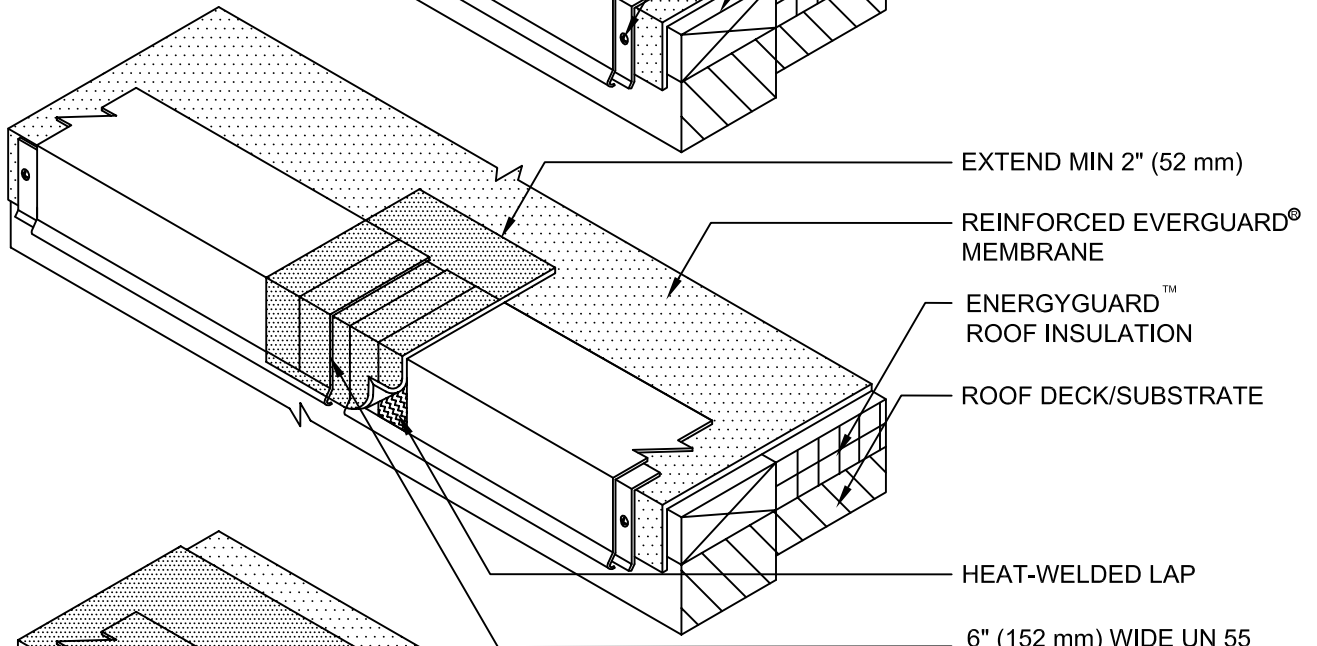
USE 2" (52 mm) FOIL TAPE OR DUCT TAPE AS BOND BREAKER

EVERGUARD® COATED METAL DRIP EDGE

24 GAUGE CONTINUOUS HOOK STRIP SECURED WITH DRILL-TEC™ FASTENERS @ 12" (305 mm) O.C.

WOOD NAILER, 5/4" (31.8 mm) x 4" (102 mm) MIN. SECURED TO DECK

STEP 2.



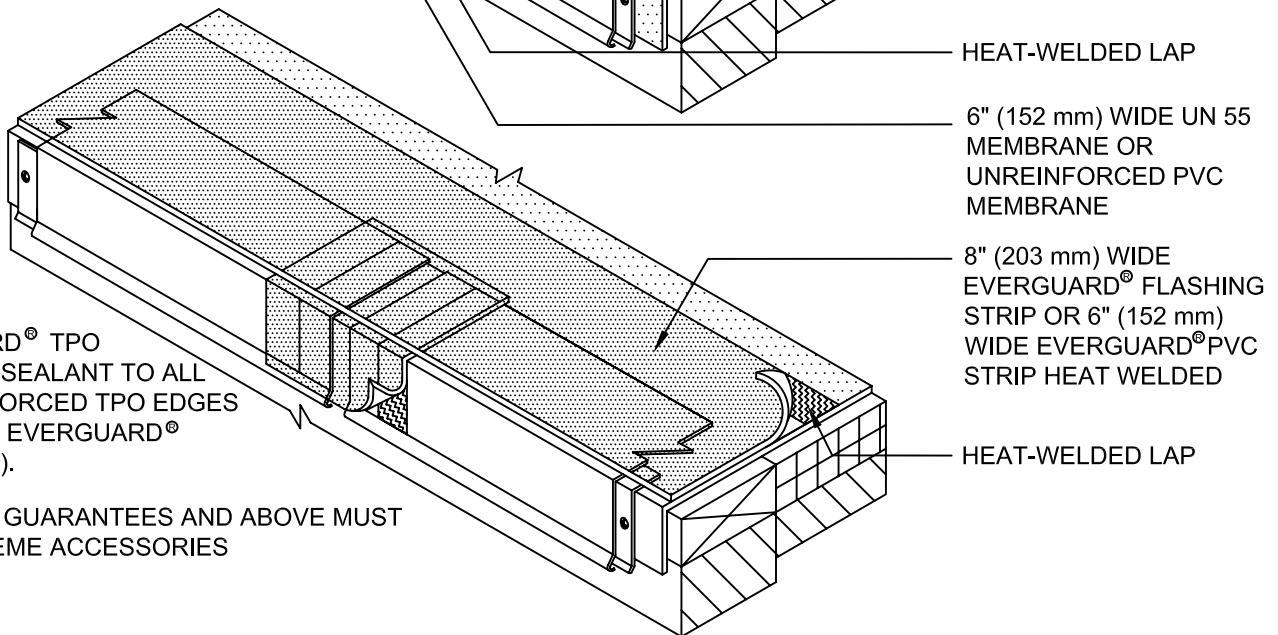
EXTEND MIN 2" (52 mm)

REINFORCED EVERGUARD® MEMBRANE

ENERGYGUARD™ ROOF INSULATION

ROOF DECK/SUBSTRATE

STEP 3.



HEAT-WELDED LAP

6" (152 mm) WIDE UN 55 MEMBRANE OR UNREINFORCED PVC MEMBRANE

8" (203 mm) WIDE EVERGUARD® FLASHING STRIP OR 6" (152 mm) WIDE EVERGUARD® PVC STRIP HEAT WELDED

HEAT-WELDED LAP

**NOTE:**

1. APPLY EVERGUARD® TPO CUT EDGE SEALANT TO ALL CUT REINFORCED TPO EDGES (REFER TO EVERGUARD® DETAIL 115).

2. 25 YEAR GUARANTEES AND ABOVE MUST USE EXTREME ACCESSORIES



**EverGuard**  
SINGLE-PLY ROOFING SYSTEMS  
ROOF EDGE SERIES

DRAWING #

**204**

**COATED METAL JOINT DETAIL**

THIS DETAIL APPLIES TO:  
Adhered Systems  
Mechanically Attached Systems  
Self-Adhered Systems  
TriPosite Systems

www.gaf.com  
1 Campus Drive,  
Parsippany, NJ 07054

SCALE  
N.T.S.

REVISION DATE  
6-20-16